

Data Sheet

PLUS+1[®] Mobile Machine Displays

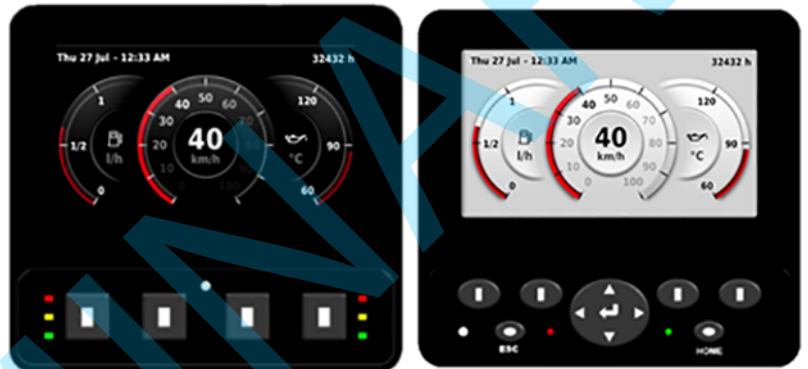
DM430E Series

The Danfoss DM430E Series Display is a 4.3" modernized display platform, expanding the PLUS+1[®] family of mobile machine management products.

The DM430E Series 4.3" display is optimized for sunlight viewability with its high brightness, optical bonding, anti-glare coating and wide viewing angles. Ruggedized for mobile machine markets, it brings a modern appearance at a cost-effective price point.

DM430E variants include different button pads, several input options, dual CAN port options, a USB/RS232 connection on the rear of the display, and an optional EIC (Engine Information Center) application.

Programmable backlit buttons and the high-resolution color display are both viewable in a wide range of lighting conditions. The backlight setting is programmable using the light sensor.



Features

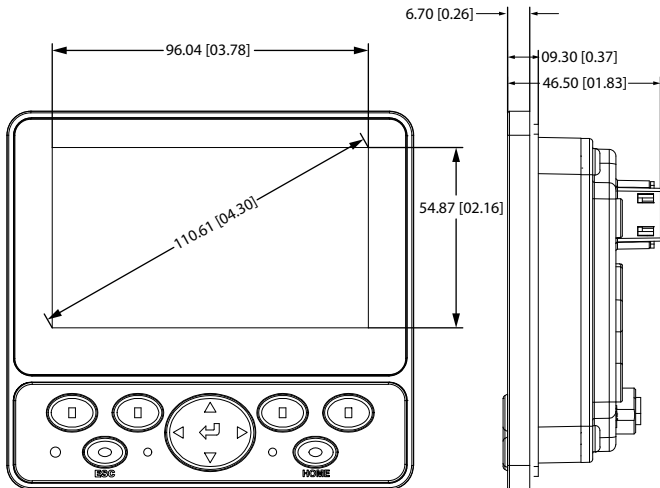
- 2 different keypads
 - Traditional 4 button
 - 6 button plus navigation buttons (11 total)
- Backlit buttons
- Up to 6 LEDs
- Integrated light sensor
- EIC application (optional), Tier 4 / Stage IV ready
- Real Time Clock (RTC)
- PLUS+1[®] GUIDE programmable (Vector-Based Screen Editor)
- Rugged IP66 and IP67 ratings (Outdoor use)
- Integrated DEUTSCH connector
- Fast Start-up Time (~2 sec)
- RAM[®] or Bracket (optional) mount
- Portrait or landscape
- 32MB app log
- CE compliant, E1 E-Mark (pending) and ROHS compliant
- USB device & RS232 (optional)

Comprehensive technical literature is online at powersolutions.danfoss.com

Dimensions

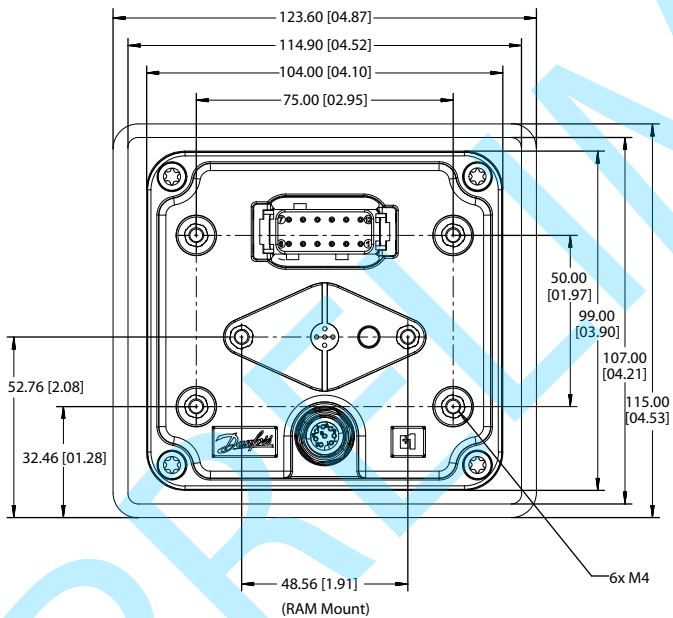
Front and side view

mm [in]



Rear view

mm [in]

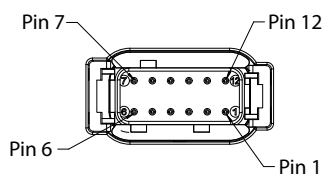


Specifications

Processor	ARM-based Cortex-M7
RAM	32MB
EEPROM	32kB
Flash (Program memory)	32MB
Flash (Application log)	32MB
Supply voltage	9-36 V _{DC}
Connector	DEUTSCH DTM06-12
Size	4.3"
Aspect ratio	Wide
Resolution	480x272
Brightness	>700 cd/m ²
Contrast ratio	500:1
Viewing angle	+/- 70 degrees in all directions
Color depth	24-bit
Glass	Optically bonded, anti-glare coating
IP rating (with mating connector attached)	IP66 and IP67 (front and back)
Operating temperature	-30°C to +70°C [-22°F to +158°F]
Storage temperature	-40°C to +85°C [-40°F to 185°F]
Weight	328 g (0.72 lb)
Vibration	IEC 60068-2-64 (7.67g)
Shock	IEC 60068-2-27 test Ea (50g)
EMI/RFI rating (V/m)	100

Pin assignments

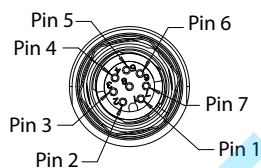
12-pin DEUTSCH connector



DEUTSCH DTM06-12SA

Pin	Function
C1-P01	Power ground -
C1-P02	Power supply +
C1-P03	CAN 0 +
C1-P04	CAN 0 -
C1-P05	AnIn/CAN 0 Shield
C1-P06	DigIn/AnIn
C1-P07	DigIn/AnIn
C1-P08	DigIn/AnIn/CAN 1+/Sensor power
C1-P09	DigIn/AnIn/CAN-/Ignition Input
C1-P10	Multifunction input (DigIn/AnIn/Freq/4-20 mA/Rheostat)
C1-P11	Multifunction input (DigIn/AnIn/Freq/4-20 mA/Rheostat)
C1-P12	Digital out (0.5A sinking)

M12 8 Pin "A" connector



M12 8 Pin "A" key

Pin	Function
C2-P01	Device Vbus
C2-P02	Device data -
C2-P03	Device data +
C2-P04	Ground
C2-P05	Ground
C2-P06	RS232 Rx
C2-P07	RS232 Tx
C2-P08	NC



Ordering information

Model variants

Model	Part number
DM430E-0-0-0-0	
DM430E-1-0-0-0	
DM430E-2-0-0-0	
DM430E-0-1-0-0	
DM430E-1-1-0-0	
DM430E-2-1-0-0	
DM430E-0-0-1-0	
DM430E-1-0-1-0	
DM430E-2-0-1-0	
DM430E-0-1-1-0	
DM430E-1-1-1-0	
DM430E-2-1-1-0	
DM430E-0-0-0-1	
DM430E-1-0-0-1	
DM430E-2-0-0-1	
DM430E-0-1-0-1	
DM430E-1-1-0-1	
DM430E-2-1-0-1	
DM430E-0-0-1-1	
DM430E-1-0-1-1	
DM430E-2-0-1-1	
DM430E-0-1-1-1	
DM430E-1-1-1-1	
DM430E-2-1-1-1	

Model code key

Model name	Description
DM430E	4.3" Color Graphical Display

Inputs/ Outputs	
0	1 CAN Port, 4DIN/AIN, 2 MFIN
1	2 CAN Port, 2DIN/AIN, 2 MFIN
2	1 CAN Port, 2DIN/AIN, 2 MFIN, Sensor Power, Ignition Input

M12 connector	
0	No USB Device, No RS232
1	USB Device, RS232

Button Pads	
0	4 Buttons, 6 LEDs
1	Navigation buttons, 2 Dual-color LEDs

Application key (EIC Application)	
0	No Application Key
1	Application Key (EIC Application)

Related product

Product	Part number
DEUTSCH 12-pin Connector Kit (DTM06-12SA)	10100944
Mounting Bracket Kit	TBD
CG150-2 CAN/USB Gateway	11153051
PLUS+1 [®] GUIDE Professional	11179523
Cable, M12 8-Pin to USB Device	11130518
Cable, M12 8-Pin to Lead Wires	11130713