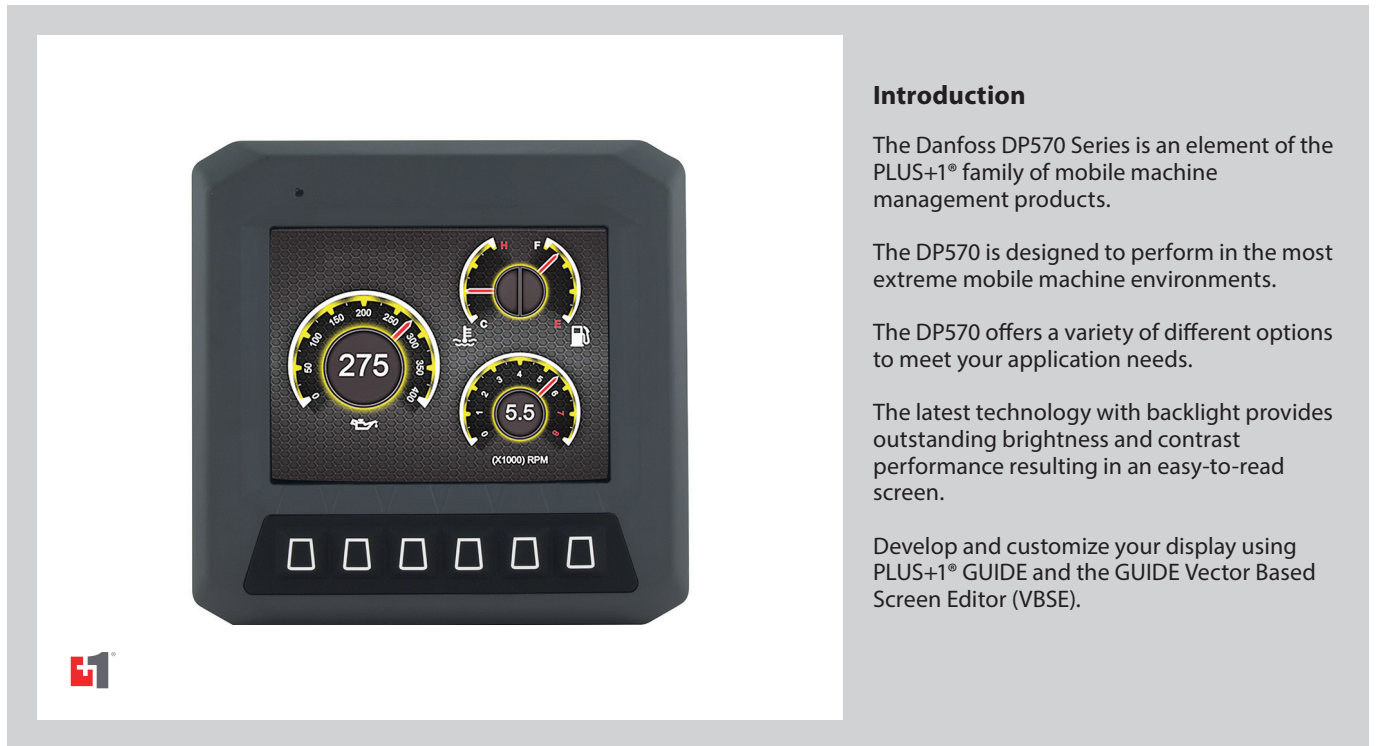




Data Sheet

PLUS+1[®] Mobile Machine Displays DP570 Series



Introduction

The Danfoss DP570 Series is an element of the PLUS+1[®] family of mobile machine management products.

The DP570 is designed to perform in the most extreme mobile machine environments.

The DP570 offers a variety of different options to meet your application needs.

The latest technology with backlight provides outstanding brightness and contrast performance resulting in an easy-to-read screen.

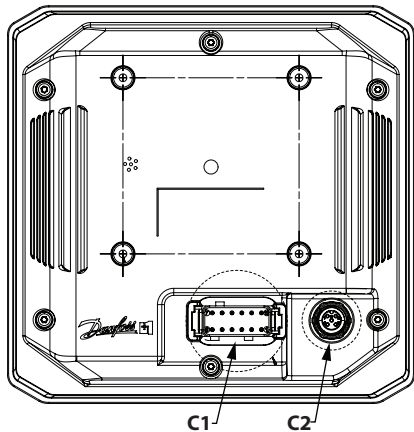
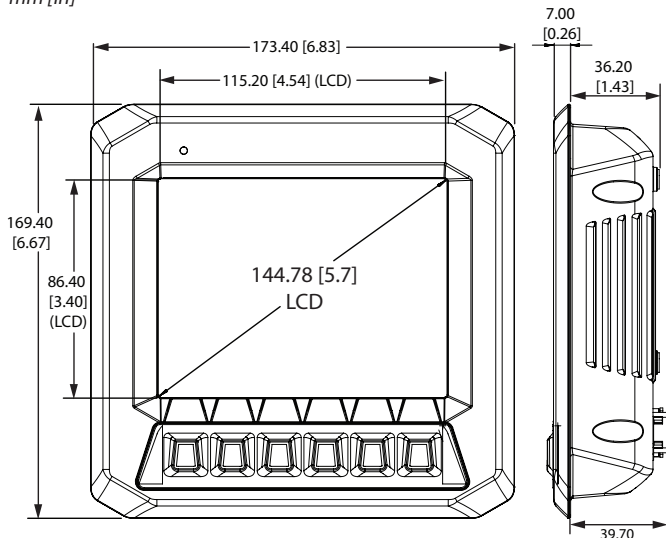
Develop and customize your display using PLUS+1[®] GUIDE and the GUIDE Vector Based Screen Editor (VBSE).

Features

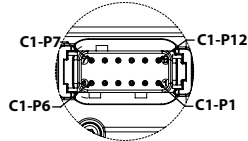
- 5.7" high resolution Thin-Film-Transistor display, 640 x 480 pixels, 18-bit color
- Ideal for gauges, diagnostic menus, and other ancillary functions
- User-programmable with PLUS+1[®] GUIDE (Graphical User Integrated Development Environment)
- One optional video input with both PAL and NTSC support
- Two multifunction inputs that include DIN/AIN/FreqIN/Rheo/4-20 mA
- Fully integrated connectors and silicone keypad provide water and dust protection from all sides
- Keypad with 6 buttons
- All buttons have white backlight design for low light and night use, all are individually software controlled
- Protective glass provides superior antiglare and contrast control under all light conditions
- Two mounting options:
 - Flush mount in dashboard
 - Stand-alone post mount according to VESA standard 75 mm x 75 mm (2.953 in x 2.953 in)
- Integrated light sensor for automatic backlight adjustment
- LCD Brightness 370 cd/m²
- LCD Contrast 600:1
- Digital output for external alarm buzzer
- On board real-time clock
- CE compliant

Dimensions and Pin Assignments

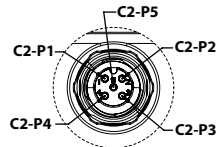
mm [in]



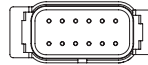
DEUTSCH Connector



Phoenix Connector



DEUTSCH DTMO6 12 Pin



C1 pin	Function
C1-P1	Power Ground -
C1-P2	Power Input +
C1-P3	CAN0 High +
C1-P4	CAN0 Low -
C1-P5	CAN Shield
C1-P6	CAN1 High + or DIN/AIN
C1-P7	CAN1 Low - or DIN/AIN
C1-P8	DIN/AIN/4-20 mA
C1-P9	DIN/AIN/4-20 mA
C1-P10	Multi-function Input
C1-P11	Multi-function Input
C1-P12	DOUT

M12 5 Pin



C2 pin	Function
C2-P1	Video Power Ground
C2-P2	Video Power Supply
C2-P3	Video Signal Input 1
C2-P4	Video Signal Ground
C2-P5	NC

Model Features

A	B	C	D	E	F	G	Part number
DP570	01	00	00	00	00	01	11134525
DP570	01	00	00	00	01	01	11130432
DP570	01	00	00	00	00	00	11140997
DP570	01	00	00	00	01	00	11140996

- A Model Name**
DP570 PLUS+1® Mobile Machine Displays
- B Input/ Output Options**
 User configurable:
01 1 CAN, 2 DIN/AIN, 2 DIN/AIN/4-20 mA, 2 Multi-function, 1 DOUT or 2 CAN, 2 DIN/AIN/4-20 mA, 2 Multi-function, 1 DOUT
- C Real Time Clock**
00 RTC
- D Flash Memory/Application key**
00 512 MB/without application key
- E Application log (Vault Memory)**
00 16 MB
- F Video Input options**
00 None
01 One Video Input
- G Mounting options**
00 Post mount cover
01 Panel mounting

Related Products

Panel mounting kit	11140430
DEUTSCH 12 pin mating connector kit 20 AWG	10100944
DEUTSCH 12 pin mating connector kit 16 to 22 AWG	10102025
Mating connector kit	11145163
Post mount cover kit	11144122

Specifications

Processor	ARM-11, 532 MHz
RAM	128 MB
FRAM	8 kB
Supply voltage/ Current consumption	9 to 36 Vdc/ 0.5A at 12V and 0.25A at 24V
LCD glass	TFT with 18 bit resolution
LCD viewable area	86.40 mm (3.40 in) x 115.20 mm (4.54 in)
Ingress Protection (IP) rating (with sealing plugs in unused connections)	IP 67
Operating temperature	-20° C to +60° C (-4° F to +140° F)
Storage temperature	-30° C to +80° C (-22° F to +176° F)
Weight	0.6 kg (1.3 lb)
Vibration	3.17 g
Shock	50 g
Electromagnetic Compatibility (EMC)	100 V/m
Electrostatic Discharge (ESD)	15 kV

Danfoss Power Solutions (US) Company
 2800 East 13th Street
 Ames, IA 50010, USA
 Phone: +1 515 239 6000

Danfoss Power Solutions GmbH & Co. OHG
 Krokamp 35
 D-24539 Neumünster, Germany
 Phone: +49 4321 871 0

Danfoss Power Solutions ApS
 Nordborgvej 81
 DK-6430 Nordborg, Denmark
 Phone: +45 7488 2222

Danfoss Power Solutions Trading (Shanghai) Co., Ltd.
 Building #22, No. 1000 Jin Hai Rd
 Jin Qiao, Pudong New District
 Shanghai, China 201206
 Phone: +86 21 3418 5200

Danfoss can accept no responsibility for possible errors in catalogues, brochures and other printed material. Danfoss reserves the right to alter its products without notice. This also applies to products already on order provided that such alterations can be made without changes being necessary in specifications already agreed. All trademarks in this material are property of the respective companies. Danfoss and the Danfoss logotype are trademarks of Danfoss A/S. All rights reserved.