

Data Sheet

Joystick

JS1 Heavy Duty Joysticks



Mobile Machine Management

The JS1 Heavy Duty Joysticks (JS1-H) portfolio is a modular joystick design that allows complete grip and base configuration for efficient control of any machine. The heavy duty design will result in extended life for years of reliable operation.

Five different heavy duty grips can be paired with the JS1-H base to offer the operator complete comfort. Each of the grips can be configured with a comprehensive portfolio of finger functions for true customization.

The JS1-H base incorporates proven Danfoss design elements and builds on the PLUS+1® architecture. Several options are available for the electrical and mechanical output so the joystick can be tailored for a positive human machine interaction. The JS1-H base is designed to be dependable and reliable for the extreme and harsh conditions of the mobile machine environment.



Features

- Hall effect with two sensors per axis or long life potentiometer position sensing
- Simultaneous operation of two proportional rollers
- Operator Presence switch
- Right hand
- Left hand
- Ambidextrous (used with either the left or right hand)

On axis shaft, deflection

- $\pm 18^\circ$

Options

Axis

- Dual axis
- Single axis
- Single axis with friction

Output options

- CAN J1939
- CANopen
- PVE

Ergonomic grip

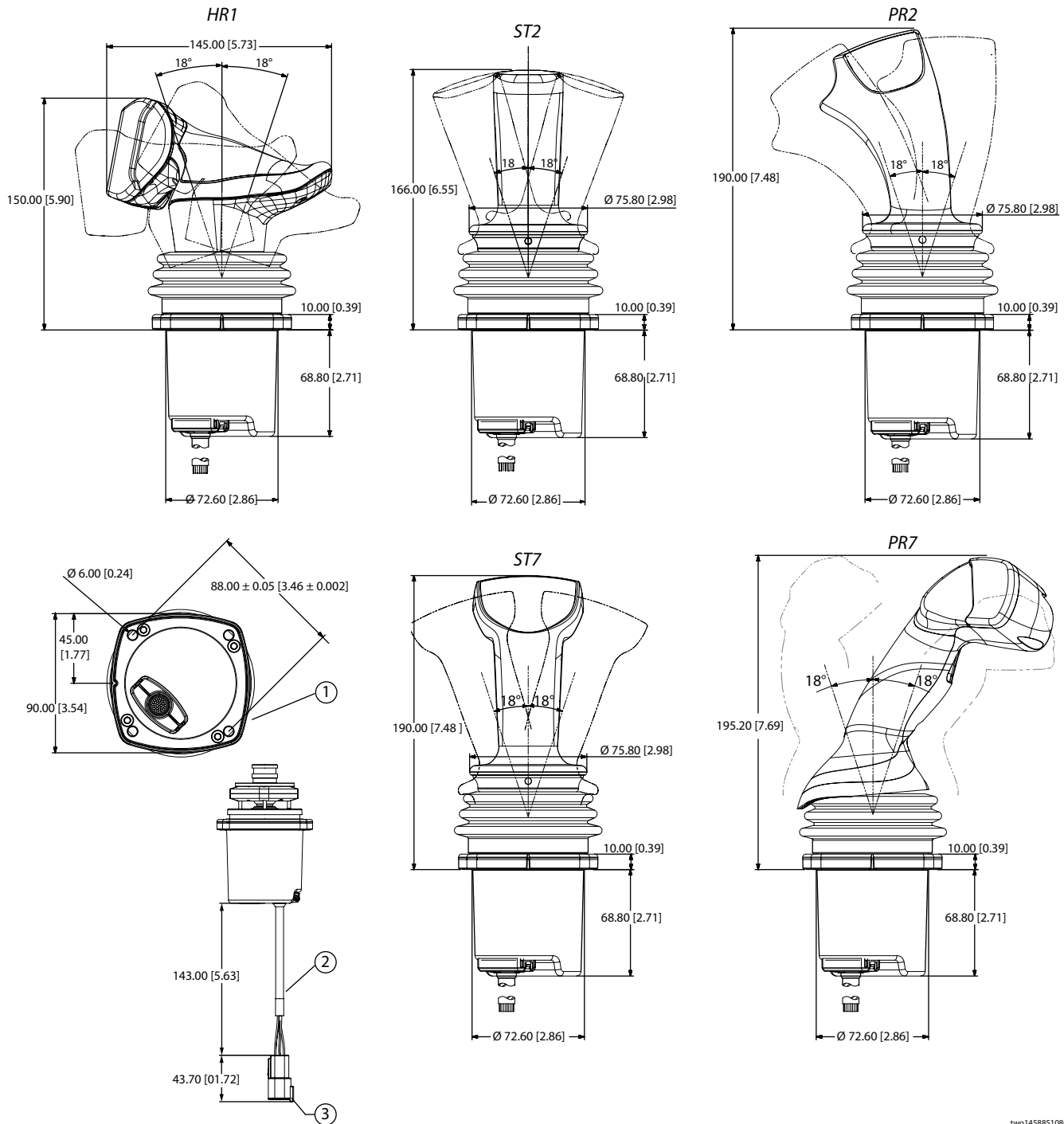
JS1-H grips

- HR1
- ST2
- ST7
- PR2
- PR7

Comprehensive technical literature online
at powersolutions.danfoss.com

JS1 Heavy Duty Joysticks

Dimensions in millimeters [inches]



two1458851080520

Mechanical characteristics

Shaft mechanical angle limits	± 18°
Base mechanical life	Single axis with friction = 1 million full operating cycles
	Single axis and dual axis with spring return = 2.0 million full operating cycles
Maximum force on handle	1000 N
Maximum torque	15 Nm
Base only mass	0.75 kg (1.65 lbf)
Weight (base without grip)	725 G (1.8 lb)
Vertical maximum load	6000 N (1350 lbs)

Electrical—PVE (Standard and Extended) characteristics

Supply voltages	U_{DC}	9 to 36 Vdc	
Current consumption			150 mA
Sensor type			Hall effect with redundant sensors
			Potentiometer
Signal voltage U_s	Minimum to maximum	0.25 to 0.75	
	Neutral position	0.50	
Signal load in neutral position	Load type	PVE	Other
	Load impedance	>6 k Ω	>15 k Ω
Signal current at maximum movement	$U_{DC} = 12\text{ V}$	6 kΩ	15 kΩ
		± 0.6 mA	0.2 to 0.6 mA
Signal current in neutral position	$U_{DC} = 24\text{ V}$	± 1.2 mA	0.4 to 1.2 mA
		± 0 mA	± 0.4 mA
Inverter	Non inverted	± 0 mA	± 0.4 mA
	Inverted	± 0 mA	± 0.8 mA
Maximum load for push buttons and directional switches for all proportional functions			0.6 A
Neutral position switch			3 A

Electrical—PVE (Extended only) characteristics

Signal regulation U_s	U_s Minimum (50%)	0.37 to 0.63 at 100% movement
	U_+ Maximum (200%)	0.25 to 0.75 at 50% movement
Dead band compensation	U_s Minimum	0.00
	U_+ Maximum	0.06

Electrical—CAN characteristics

Sensor type	Hall effect with redundant sensors
	Potentiometer
Resolution	12 bit
Supply voltage (V_s)	9 to 36 Vdc
Output	J1939 and CANopen protocols
Base maximum current consumption	120 mA at 9V
Base maximum survival supply voltage	68 Vdc



Environmental characteristics

Operating temperature	CAN	-30° C to 80° C (-22° F to 176° F)
	PVE	-30° C to 70° C (-22° F to 158° F)
Storage temperature		-40° C to 85° C (-40° F to 185° F)
EMI/RFI rating	150 V/m	
Vibration	25 G, 10 ms, 500 bumps in each of 6 directions IEC 60068-2-29 test Eb	
Shock	50 G, 11 ms, 3 shocks in each of 6 directions IEC 60068-2-29 test Ea	
Ingress Protection (IP) rating	Up to IP 66 (dependent on grip sealing selected)	

Danfoss part numbers for JS1 Heavy Duty Joysticks, refer to:

JS1 Heavy Duty Joystick Family Technical Information	BC00000347
---	-------------------

Danfoss connector bag assemblies part numbers
(must be ordered separately from joystick)

Description	Danfoss part number
One 6 pin DEUTSCH connector	10101551
Two 6 pin DEUTSCH connectors	11177980
One 12 pin DEUTSCH connector (GRY)	10100944
Two 12 pin DEUTSCH connectors (GRY/BLK)	10100945
Two 12 pin and One 6 pin DEUTSCH connectors (GRY/BLK)	11176538

Danfoss can accept no responsibility for possible errors in catalogues, brochures and other printed material. Danfoss reserves the right to alter its products without notice. This also applies to products already on order provided that such alterations can be made without changes being necessary in specifications already agreed.
All trademarks in this material are property of the respective companies. Danfoss and the Danfoss logotype are trademarks of Danfoss A/S. All rights reserved.